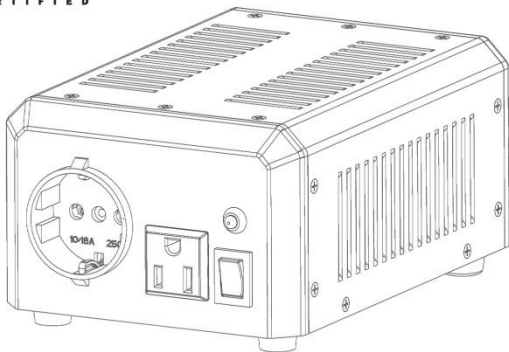




STEP UP & STEP DOWN

VOLTAGE TRANSFORMER

ISO9001
CERTIFIED



Conforms to / Conforme à UL std.1012
Certified to / Homologué à
CSA std. C22.2 No. 107.1

MODELS:

ULT150 - ULT350 - ULT450 - ULT600 - ULT850

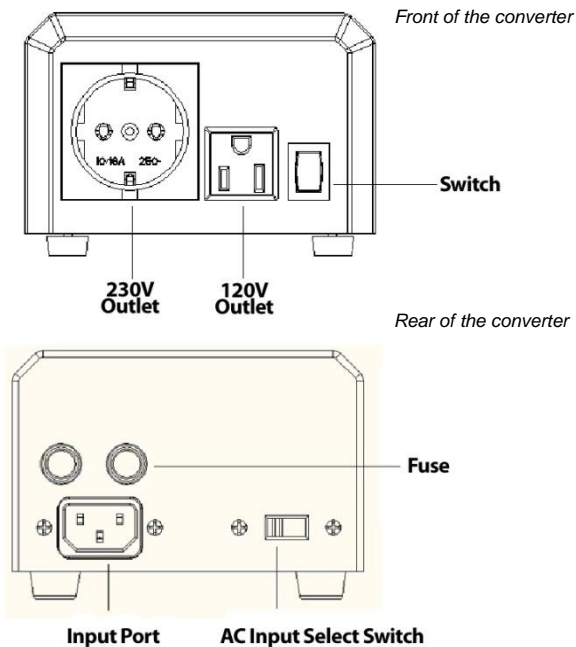
Instruction Manual

Please read the instructions carefully before operating this transformer.

WARNING: Incorrect input voltage in the back of the transformer may cause permanent damage to your converter and equipments.

1. Instruction

Familiarize yourself with the features and functions of the transformer by studying the two diagrams below:



Note: When using multiple items please make sure that the combined total wattage does not exceed the capacity of the transformer.

2. Connect the electrical appliances to the transformer

Check the wattage requirement of your equipment and make sure it does not exceed the transformer's maximum capacity. Then check the voltage your equipment operates on. Select the correct input voltage according to the country's voltage before plugging into wall outlet. When selecting input 230V, use the 120V outlet ONLY in the front to step down the voltage. When selecting 120V use the 230V outlet ONLY in the front to step up the voltage. Make sure all the appliances and the transformer are switched "OFF".

3. Connect the transformer to the outlet

Switch the input selection switch in the back of the transformer to your wall outlet's voltage. For example, select 120V when using in the U.S. and select 230V when using in Europe. If plug adapter is needed for the country you are in, connect to the cord of the transformer first. Plug in the transformer's cord to the outlet.

4. Switch "ON" the transformer

Press the ON/OFF switch in the front of the transformer to "ON" position. Now, switch on your appliances one at a time if connecting multiple items.

CAUTION: Avoid overloading

Do not overload the transformer more than its maximum capacity. Some appliances surge when they are initially turned on thus requiring more than the stated wattage. Such appliances included are TV, Printers and other products with built-in motor. In these cases use at least twice the size of the transformer than required wattage. When using multiple appliances with a single transformer please make that the combined required wattage of the appliances is less than the transformer's capacity. Do not use the transformer if the power cord is damaged or torn.

Storage

- Store in a well-ventilated area
- Do not expose to direct sunlight or heat sources
- Keep out of reach of children
- Keep away from water, moisture, grease or oil
- Keep away from any flammable substance

Fuse

If the fuse burns while the transformer is on and the connected appliances are "ON", you have exceeded the maximum allowable current for this transformer. You will need to reduce the amount of power being consumed at a time or consider using a larger transformer for the given application. Turn off the unit and unplug from wall outlet. Replace the fuse with same amperage as one specified and transformer specified and transformer should be functional.

For USA/Canada, input voltage must be set to 120V

Input: 120V, 60Hz > Output: 120/230V 60Hz (Load type: Resistant)

Model:	ULT150	ULT350	ULT450	ULT600	ULT850
Max Input:	170W	400W	500W	700W	950W
Max Output:	150W	350W	450W	600W	850W
Protection:	Glass fuse	Glass fuse	Glass fuse	Glass fuse	Glass fuse
FuseRating:	2A(120V)	4A(120V)	5A(120V)	8A(120V)	10A(120V)

For Europe/Africa, input voltage must be set to 230V

Input: 230V, 50Hz > Output: 120/230V 50Hz (Load type: Resistant)

Model:	ULT150	ULT350	ULT450	ULT600	ULT850
Max Input:	170W	400W	500W	700W	950W
Max Output:	150W	350W	450W	600W	850W
Protection:	Glass fuse	Glass fuse	Glass fuse	Glass fuse	Glass fuse
FuseRating:	1A(230V)	2A(230V)	2.5A(230)	4A(230)	5A(230V)